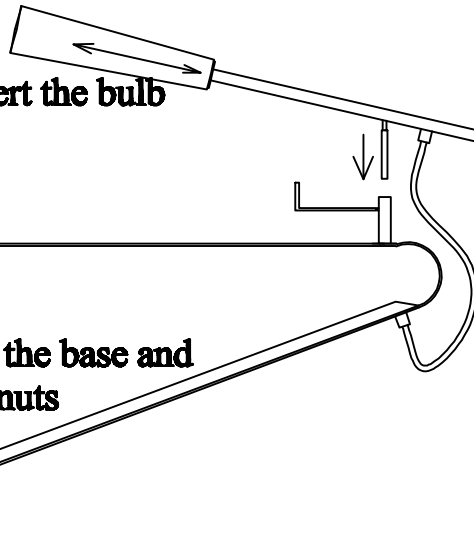


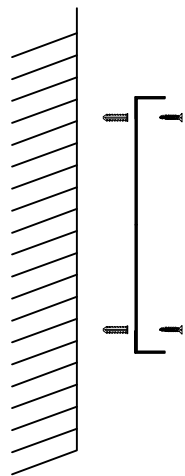
Assembly Instruction

Pull and Push to adjust the balance of the lamp after insert the bulb



**Step 5
Insert the arm into the rack and fasten with hexagon bar wrench.**

**Step 4
Put the rack on the base and fasten with the nuts**



**Step 1
Drill 2 holes in the wall from up to down according to the holes in the base.**

**Step 2
Insert the plastic into the holes.**

**Step 3
Fast the base with the screws on the wall**

Instruction Manual:

- 1. Indoor used only.**
- 2: Please forward to the professional person for assembling.**
- 3: Use the lamp at AC220V/50HZ, overloading will increase the risk of fire.**
- 4: Disconnect the plug from the power source before making any fitting, adjustment or changing the bulb.**
- 5: Don't touch the bulb when it is hot.**
- 6: Keep the bulbs away from the kids.**
- 7: Use the right bulb according to the instruction attached.**
- 8: Keep the cord away from heat, oil, sharp edges or moving parts. Damages cords will increase the risk of electric shock.**
- 9: Keep the packing bag away from the kids.**



MAX: E27 1*60W

Voltage : 220-240V 50Hz